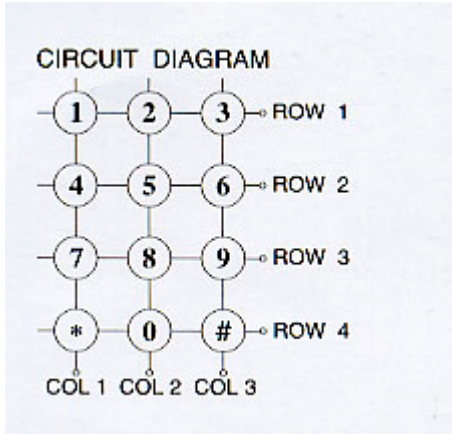


General Specification

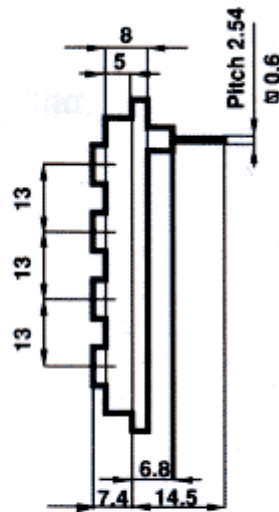
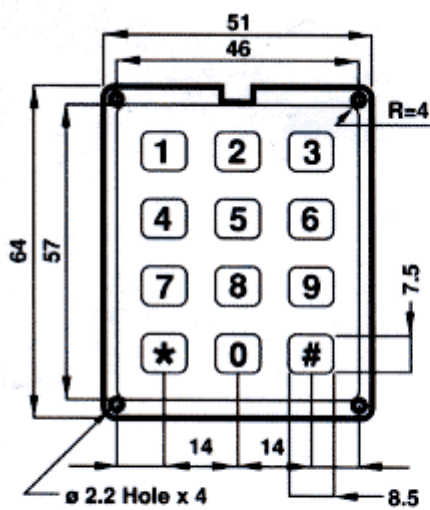
- Contact rating:20mA,24VDC
- Contact resistance:200 ohm max
- Life:1,000,000 cycles per key
- Operating Temperature: -20□ to +60□
- Storage Temperature: -40□ to +65□

Standard Matrix Circuit Diagram



AK-304-FM

OUTPUT ARRANGEMENT	
OUTPUT PIN NO.	SYMBOL
1	ROW 1
2	ROW 2
3	ROW 3
4	ROW 4
5	COL 1
6	COL 2
7	COL 3



ACTUATING FORCE: 100 ± 30 GRAMS.
STROKE: 1.4 ± 0.3 mm.